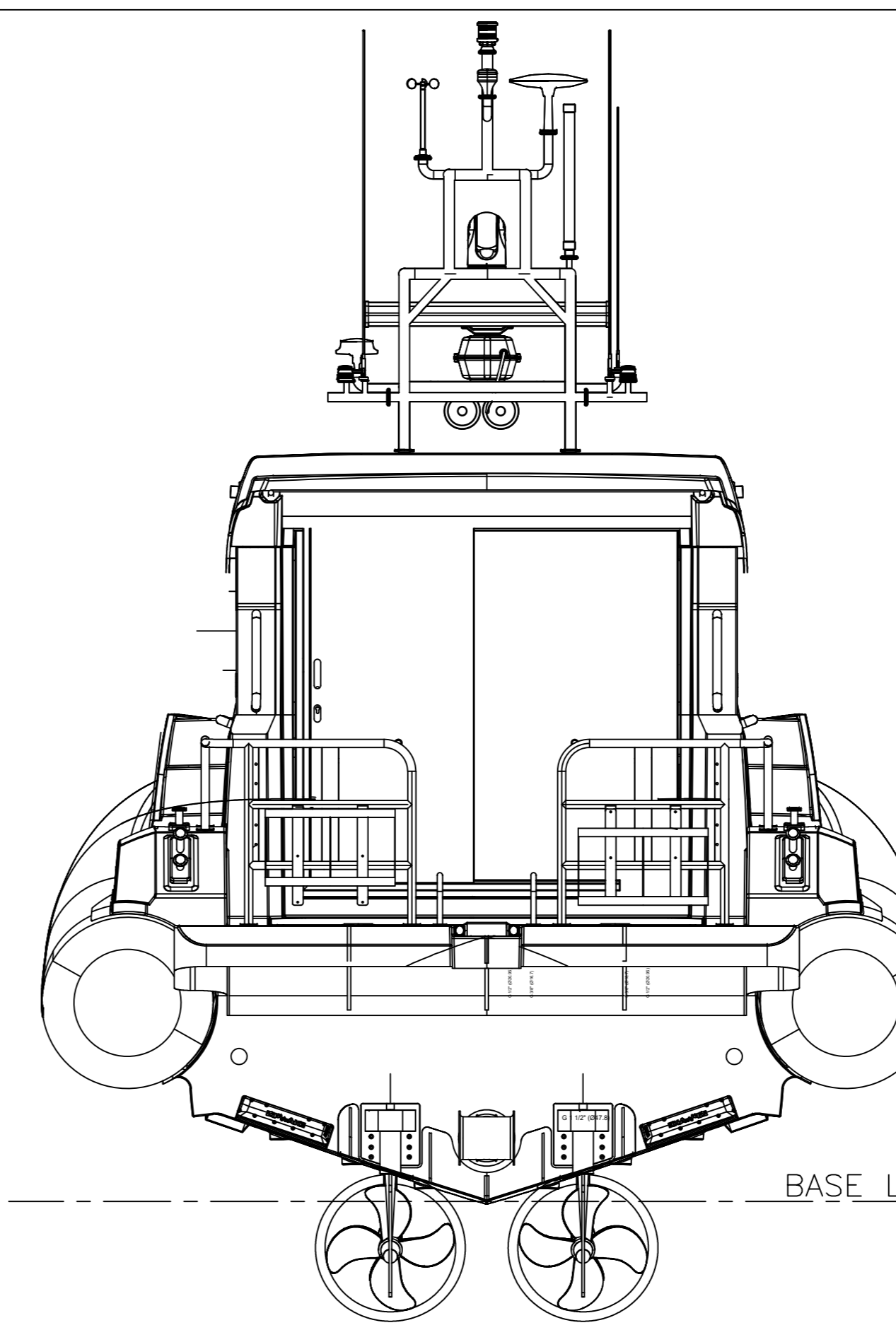
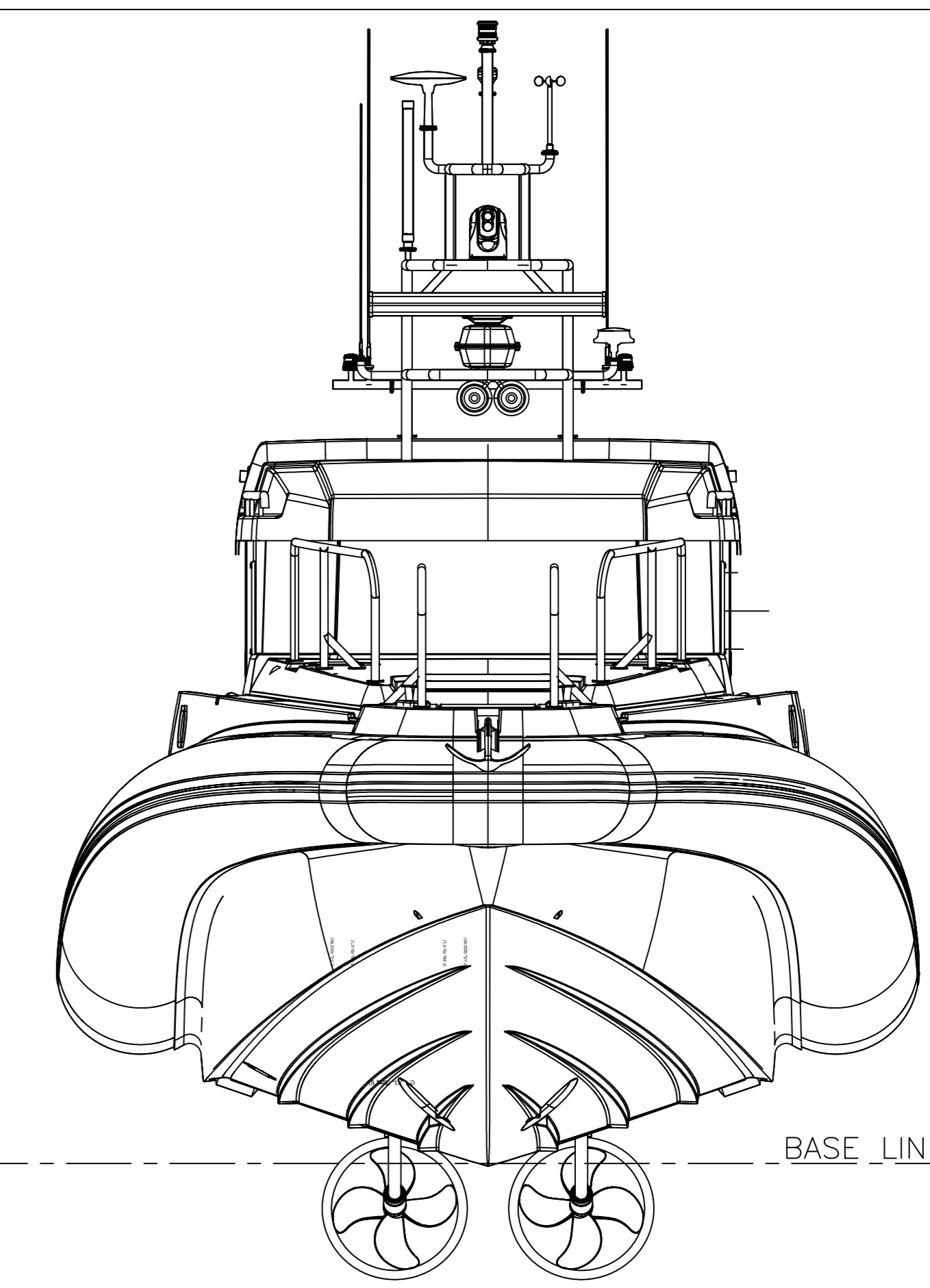


SIDE VIEW

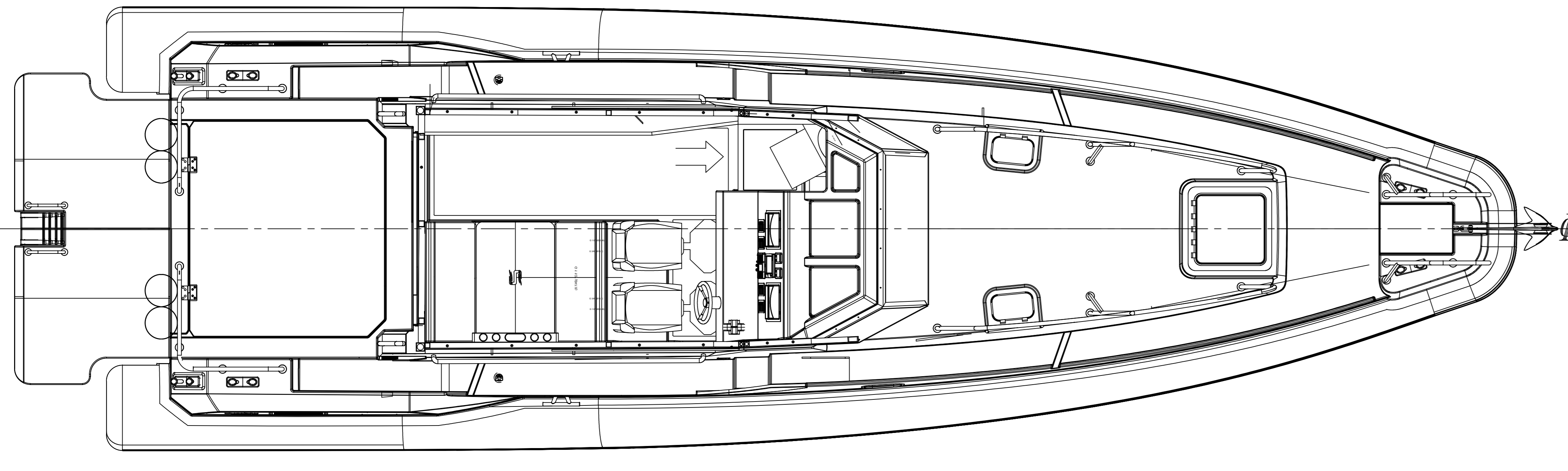
THEORETICAL FRAME SPACING 1000mm



AFT VIEW

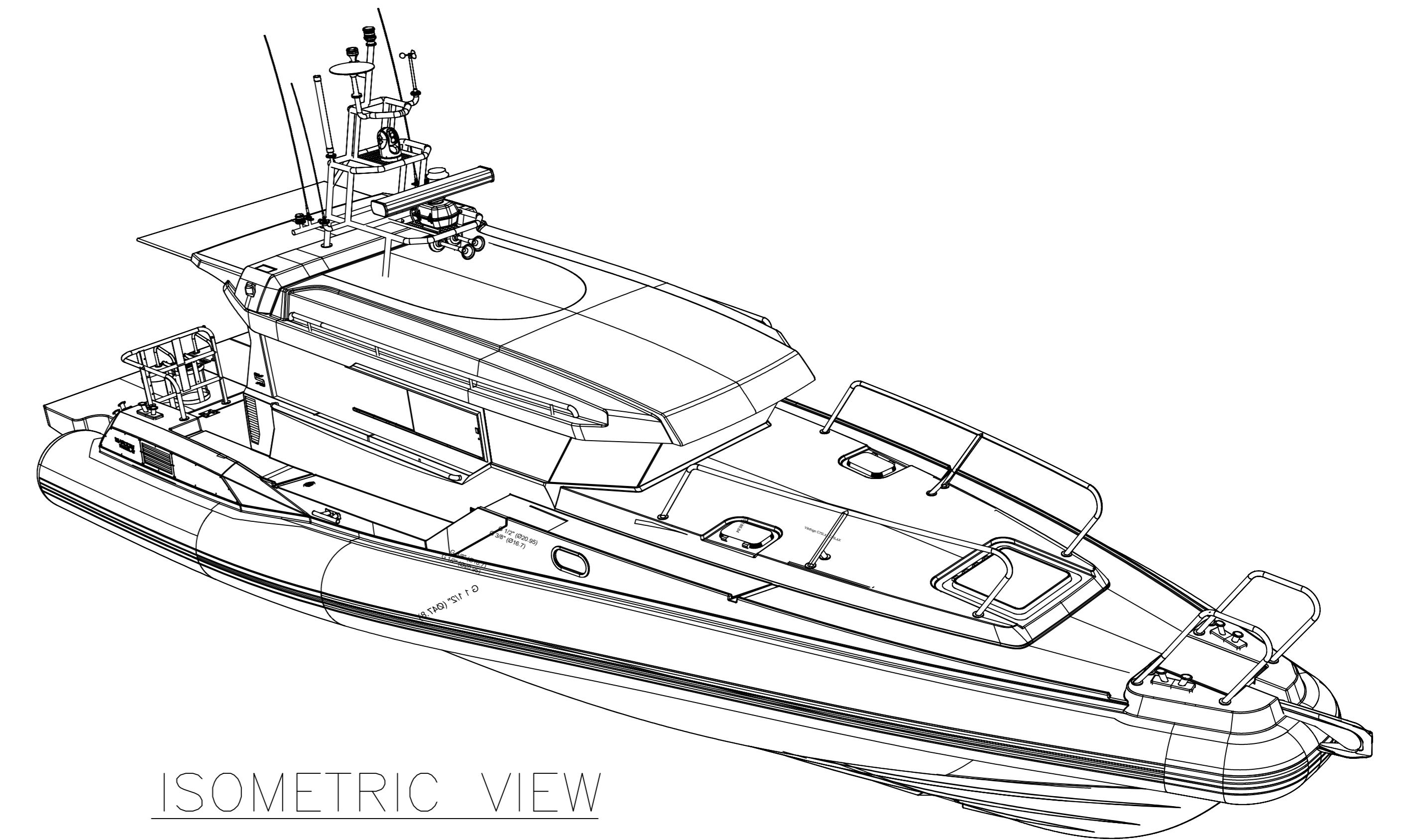


FORE VIEW

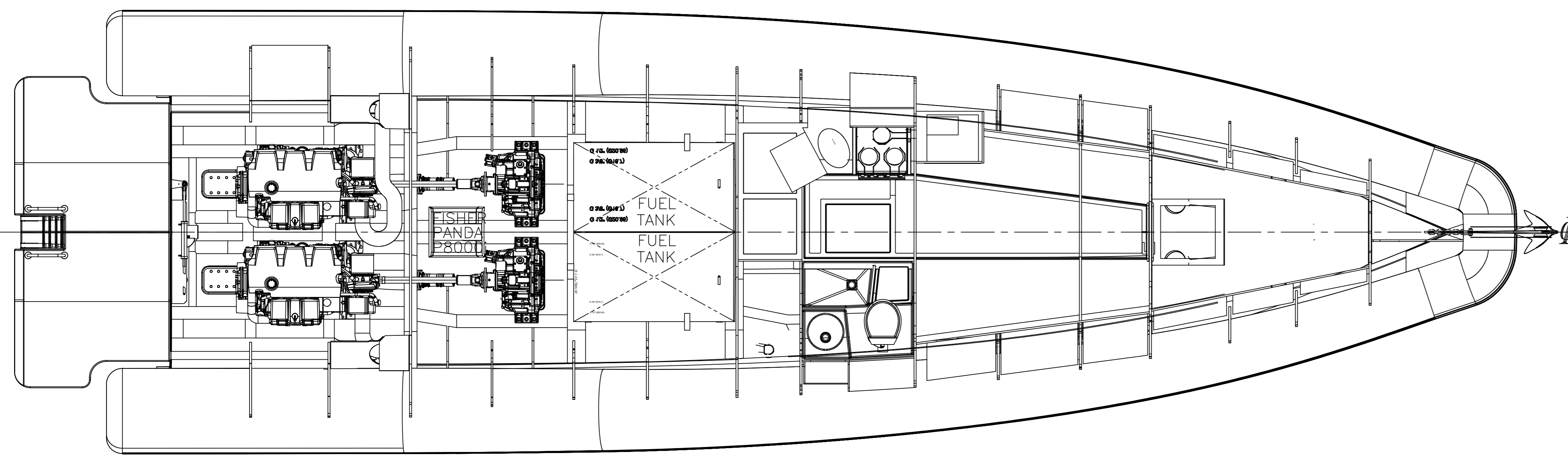


MAIN DECK

THEORETICAL FRAME SPACING 1000mm



ISOMETRIC VIEW



LOWER DECK

THEORETICAL FRAME SPACING 1000mm

PROJECT "SHADOW" MAIN DIMENSIONS

LOA: 14.50 m
 LH: 13.72 m
 Bmax: 4.20 m
 Tmax: 0.48 m

A		B			
REV.	CHANGED	DATE/SIGN.	REV.	CHANGED	DATE/SIGN.
PROJECT_NAME: SHADOW_47-INBOARD_ENGINE					
GENERAL_ARRANGEMENT					
_APPR.4	_APPR.2	_APPR.2	_APPR.1	DATE:	13.03.2025
				CHECKED:	NAV.ARCH
		SCALE:	1/50		CUSTOMER:
		DRAWN:	NAV.ARCH		SHADOW_NAUTICS_D.O.O.
		PLOTTED:			
FILE NAME:					
SHADOW					PAGE:
					1/1
					REV. 0
					NAVARCH DRAWING NO.:
					101-001