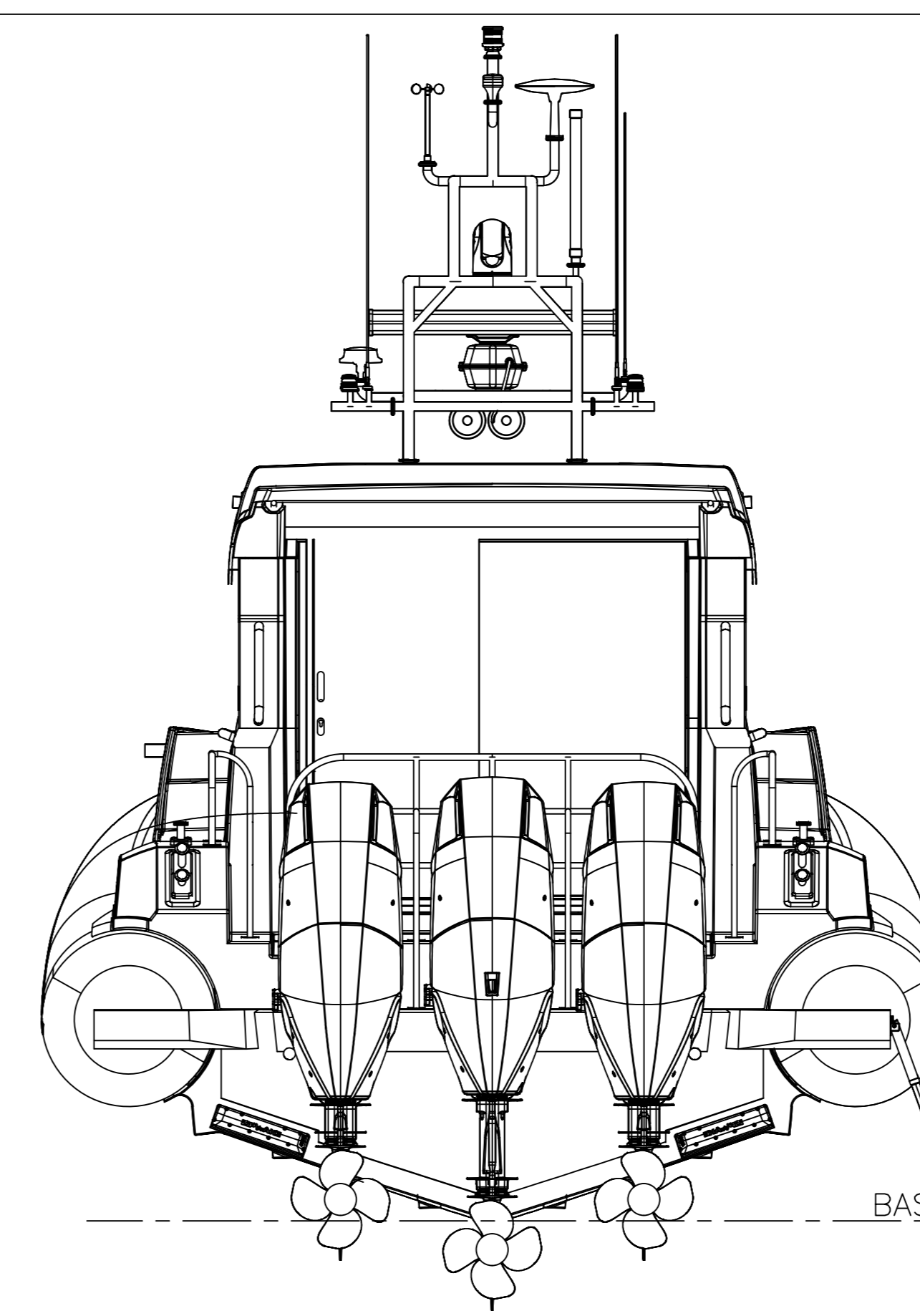


14 13 12 11 10 9 8 7 6 5 4 3 2 1 0

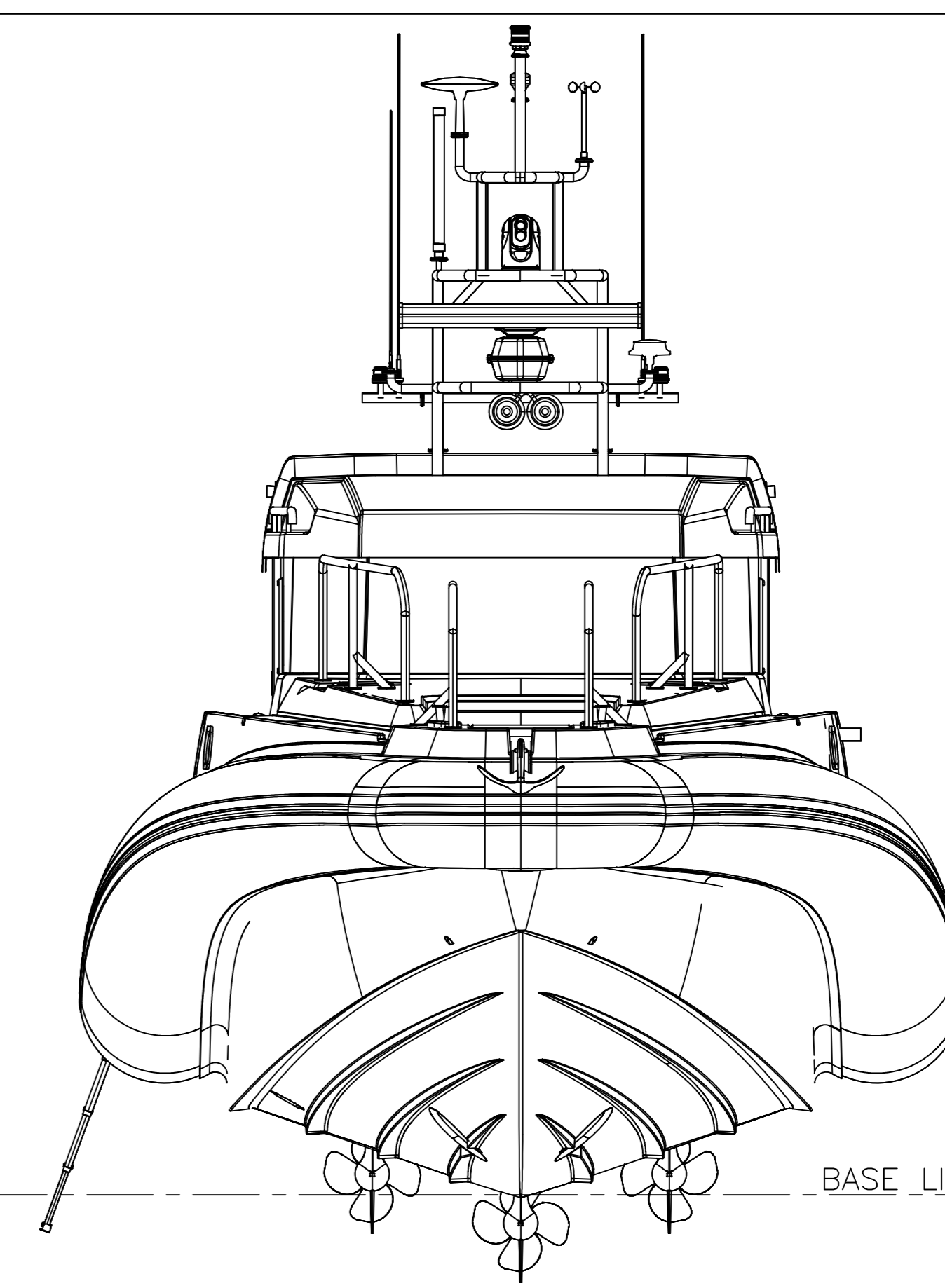
SIDE VIEW

THEORETICAL FRAME SPACING 1000mm



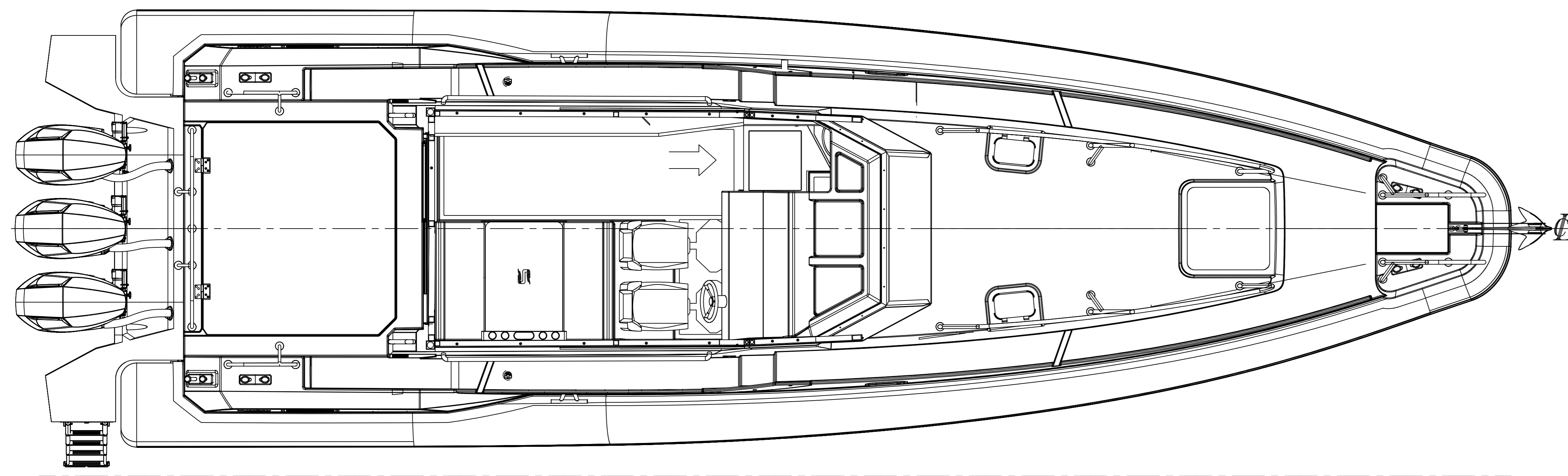
BASE LINE

AFT VIEW



BASE LINE

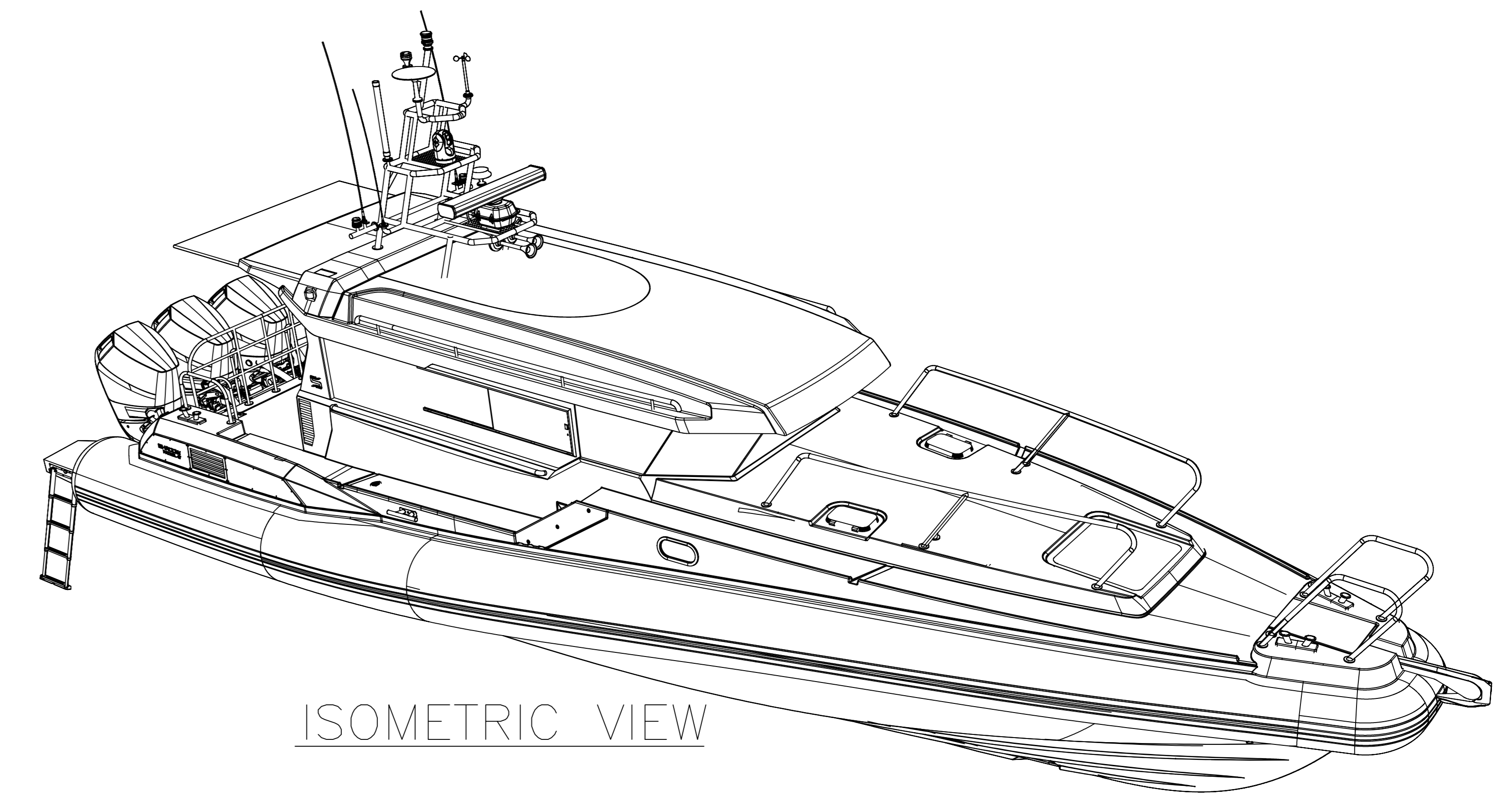
FORE VIEW



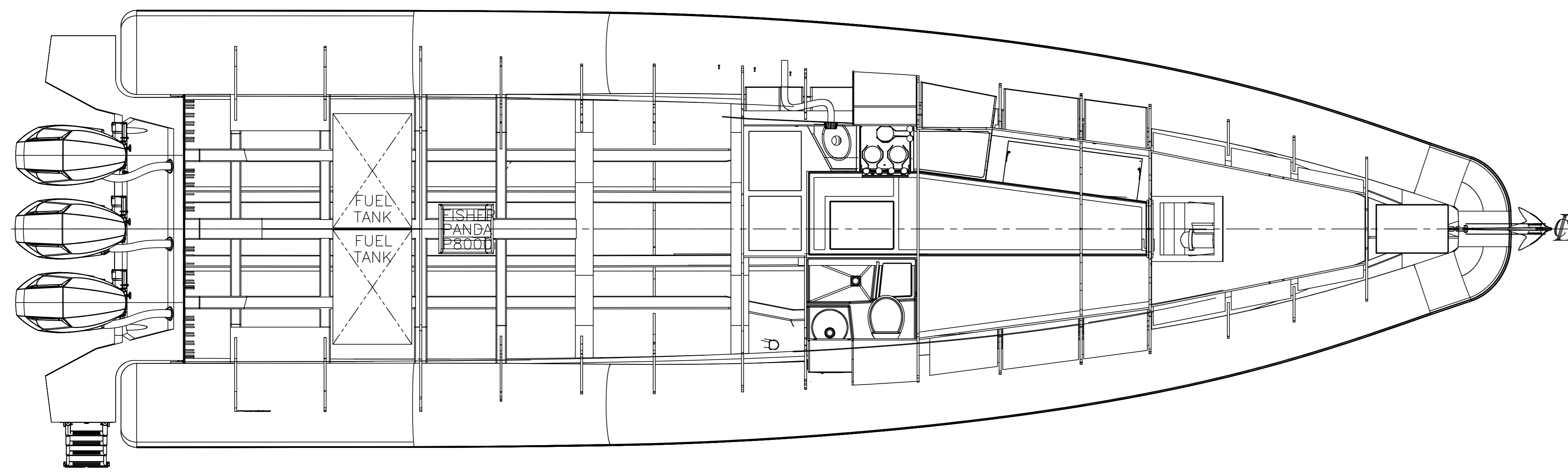
14 13 12 11 10 9 8 7 6 5 4 3 2 1 0

MAIN DECK

THEORETICAL FRAME SPACING 1000mm



ISOMETRIC VIEW



14 13 12 11 10 9 8 7 6 5 4 3 2 1 0

LOWER DECK

THEORETICAL FRAME SPACING 1000mm

PROJECT "SHADOW" MAIN DIMENSIONS

LOA: 14.50 m
 LH: 13.72 m
 Bmax: 4.20 m
 Tmax: 0.48 m

A		B			
REV.	CHANGED	DATE/SIGN.	REV.	CHANGED	DATE/SIGN.
PROJECT_NAME: SHADOW_47-OUTBOARD_ENGINE					
GENERAL_ARRANGEMENT					
_APPR.4	_APPR.2	_APPR.2	_APPR.1	DATE:	13.03.2025
				CHECKED:	NAV.ARCH
		SCALE:	1/50		CUSTOMER:
		DRAWN:	NAV.ARCH		SHADOW_NAUTICS_D.O.O.
FILE NAME: _____					
SHADOW				PAGE:	1/1
				REV.	0
				NAVARCH DRAWING NO.:	101-001